

X-press Pack

Self-Contained Compactor

The X-Press Pack is the easiest compactor on the market... just install it and start saving!!

FEATURES

- UL/CUL listed Control Panel
- Liquid tight compactor/container
- 4 or 6 cubic yard front load container
- Remote Power Unit
- Large 46 x 21 Charge Opening
- Low loading height for easily loading
- Optional chute fed systems available
- Fully (UHMW) guided & supported ram
- Fixed breaker bar teeth aid in trash retention
- ANSI Z245.2 & ANSI Z245.21 Compliant



Available in 4yd & 6yd Container Capacities

This compact self-contained unit offers the same liquid tight containment as a standard size compactor but in a more compact size for space limitations. Designed to offer the same benefits of a larger unit with it's optional chute fed or hopper fed system.

Ease of usage makes it a perfect portable compactor ready to use and requires no additional sight prep such as concrete pad, anchors or channel guides.

DESIGN FEATURES

- Rugged Construction provides long life
- Can easily be used in long or short term locations.
- Eliminates the unsightly mess of spillage by hauler
- Excellent Compaction of dry and/or wet material
- Compaction ratios average 4 to 1, depending on material
- Ideal for Resturants, Fast Food locations, Shopping Centers, Supermarkets, Hospitals, Schools, Nursing Homes, and hotels

LOADING CAPABILITIES

- Load from ground, off a dock, or through the wall

USER FRIENDLY

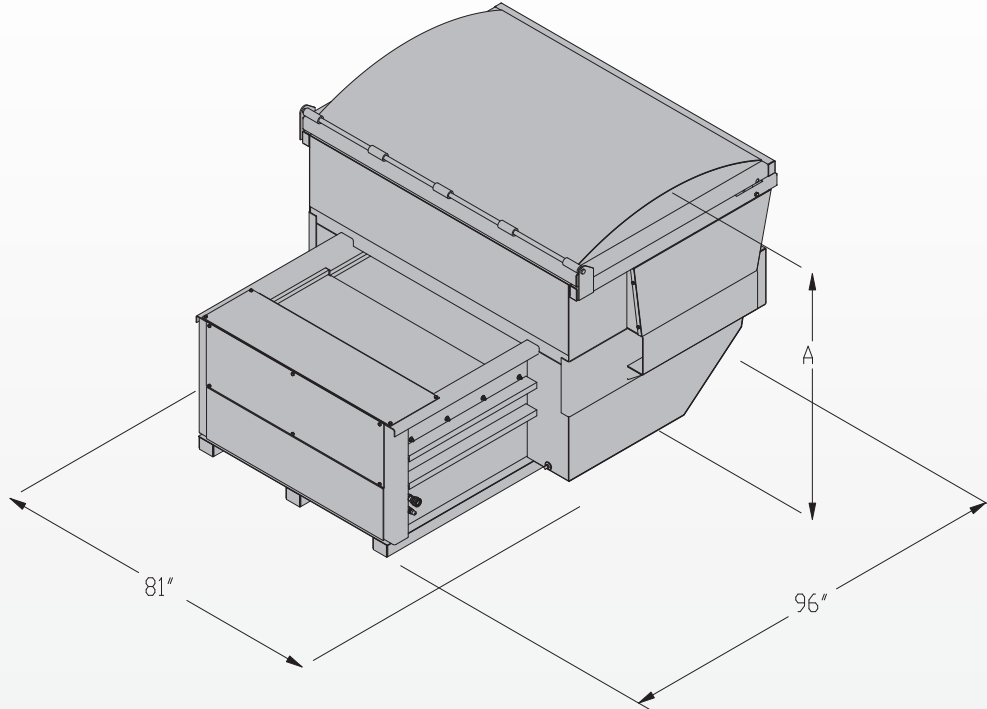
- Container lid automatically unlocks when container is emptied and locks when returned.

Self-Contained unit

- Designed for limited space locations



CRAM-A-LOT®
 J.V. Manufacturing, Inc. 
 Solid Waste & Recycling Equipment



Special modifications quoted upon request

Specifications

GENERAL:

Dimensions	Length	96"
	Width	81"
	Height	See Chart
Clear Top Opening		21" L x 46" W
Minimum Load Height		32"
Cycle Time		27 seconds
Ram Force:	Normal	18,300 lbs
	Maximum	19,500 lbs
Ram Penetration	6" Minimum	
Ram Face Dimensions		48" W x 19" H
Weight		See Chart
WASTEC Rated		.41 CU YDS

CONSTRUCTION:

Container	Floor	11 gage
	Sides	11 gage
Presshead	Top	3/16" Steel Plate
	Sides	3/16" Steel Plate
	Face	1/4" Steel Plate
Chassis	Floor	3/8" Steel Plate
	Sides	3" C-Channel

ELECTRICAL:

Motor	3 hp
Voltage	208-230/460 VAC 60 Hz Three Phase
Optional Voltage	230 VAC 60 Hz Single Phase

HYDRAULIC:

Pump Type	Vane	
Pump Capacity	3 gpm	
Tank Capacity	14 gal	
Hydraulic Cylinder(2)	Bore	2-1/2"
	Stroke	18"
	Rod	1-1/4"
Operating Pressure	Normal	2,250 psi
	Maximum	2,400 psi

MODEL	A	WEIGHT
XP-4Y-FL	58 7/8"	2,700 lbs
XP-6Y-FL	76 7/8"	2,800 lbs